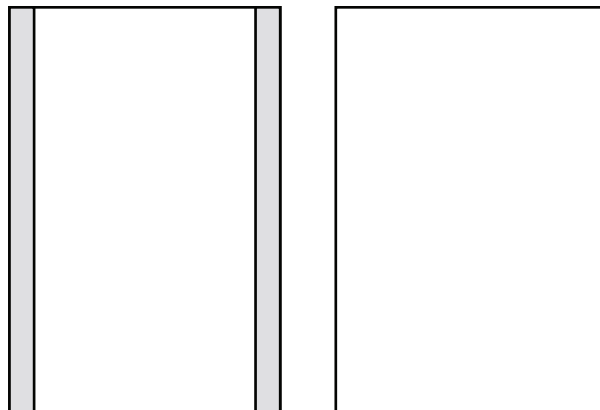
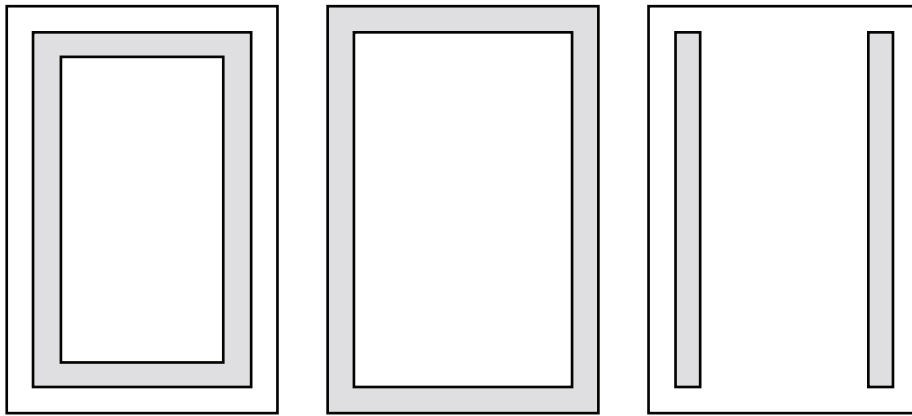




INSTALLATION GUIDE



DO NOT BEGIN THE INSTALLATION WITHOUT FIRST READING ALL SAFETY, HANDLING, AND CARE INSTRUCTIONS

SAFETY INFORMATION

1. Matrix Mirrors fixtures must be installed in accordance with all applicable national, state, and local electrical codes and by a licensed electrician.
2. TO AVOID THE RISK OF SHOCK OR FIRE, DISCONNECT POWER BEFORE INSTALLATION.
3. Recommended two-person installation. This is especially important for mirrors larger than 24x36 | For mirrors larger than 36x60, consider having a glass professional present for the installation.
4. NEVER grasp the mirror chassis or glass by the corners; they are sharp and can cause injury.
5. Matrix Mirrors hanging brackets must be installed into studs or blocking. Sheet rock alone is insufficient; a mirror could fall if not properly installed in accordance with these instructions.
6. Matrix Mirrors is not responsible for damage or injury incurred during the installation process or for problems that arise if its products should be installed by an unlicensed person. See the full Matrix Mirrors Warranty Statement and Terms and Conditions on matrixmirrors.com.

CARE INSTRUCTIONS

1. If possible, turn off power to the mirror before cleaning.
2. Do not clean using abrasive cloths or paper towels as they can scratch the glass.
3. Do not spray chemicals or liquids on any part of the mirror - particularly the sides or edges of the glass and the diffusers along the sides of the mirror chassis. **To clean the glass, apply a glass cleaning agent to a non-abrasive or microfiber cloth, then gently wipe the glass and sides, being careful not to touch the corners of the glass or the chassis.**
4. Never apply pressure, pull down, or push up on the glass or chassis as this could cause injury or damage.
5. No one other than a licensed and trained electrician should ever remove the mirror glass from the chassis or uninstall the chassis from the wall.

HANDLING INSTRUCTIONS

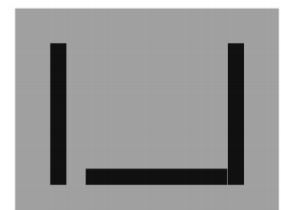
1. Never place the mirror chassis or glass on any surface by any of the four corners. This can lead to damage or breakage.
2. If the mirror must be removed from the wall, be sure to first disconnect the power, then remove the glass before dismantling the chassis.
3. Do not place the glass down on any hard surfaces such as hardwood, tile, granite, concrete, vinyl, or linoleum.
4. When storing the glass either during installation or removal, always place two corners flush against the floor and two against a wall. All surfaces should be covered by a soft barrier such as foam, double-walled cardboard, a towel, or a blanket. It is also possible to lay the glass completely flat against a soft surface

BEFORE INSTALLING

The hanging orientation of the mirror should have been specified before ordering as “Vertical” or “Universal.” Mirrors specified as “Vertical” have 2 brackets affixed to the back of the mirror. “Universal” Mirrors have 3 brackets affixed to the back. As pictured below. “Universal” models can be hung horizontally or vertically.



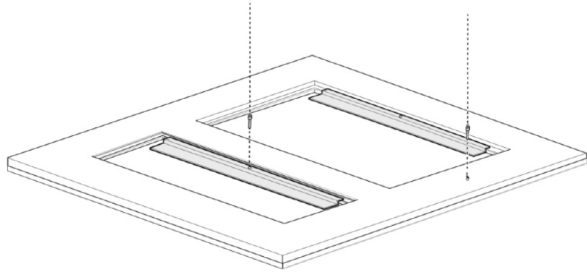
Vertical



Universal

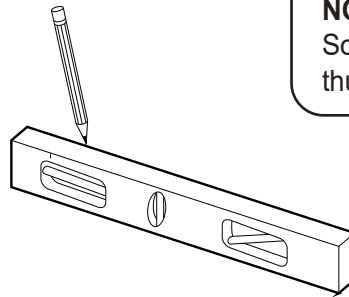
1. THUMB SCREW

Chassis are secured to glass brackets for shipping with 1-2 thumbscrews. Remove thumbscrews from chassis and slide off glass before installation



2. LEVEL MARK

Mark a straight line for desired wall bracket placement. Larger sizes may require multiple brackets.



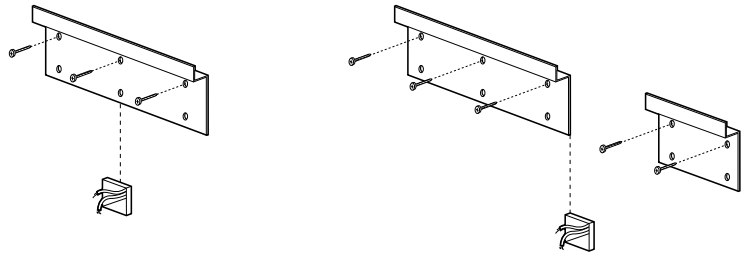
NOTE: THUMBSCREW

Some models have a second thumbscrew

3. PLACE BRACKETS

Secure brackets to the wall using screws designed for the mounting substrate.

The brackets must be installed on studs or blocking. Sheetrock alone is insufficient.

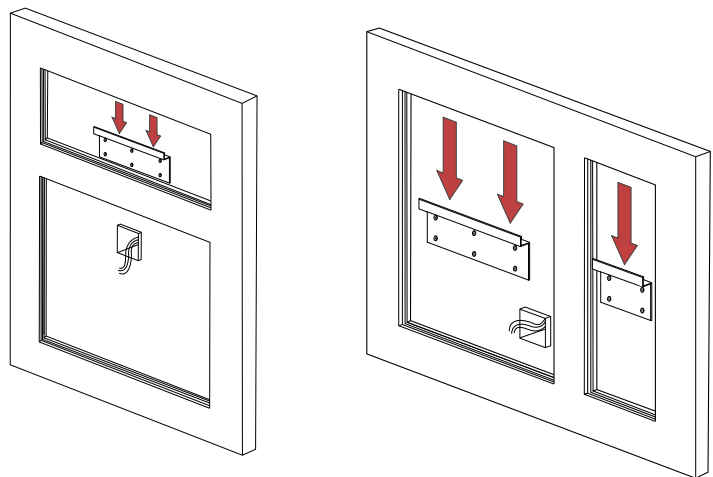


4. MOUNT CHASSIS

Sliding top of chassis into the mounting bracket(s)

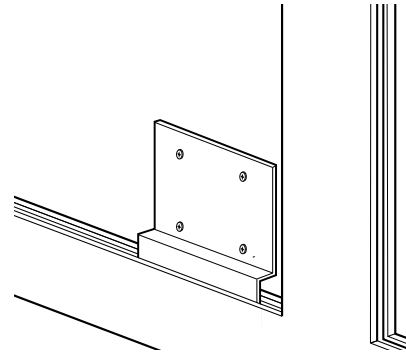
NOTE: CROSSBAR

Keep chassis crossbar to the right of the junction box



5. LOCK BRACKET

Lock chassis to the wall by screwing smaller bracket upside down, opposite from the primary wall hanging bracket(s). The lock bracket does not require a stud or blocking.

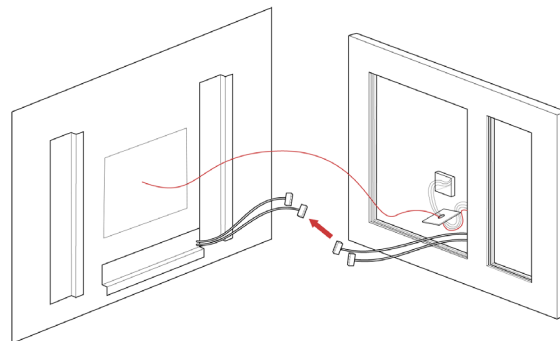
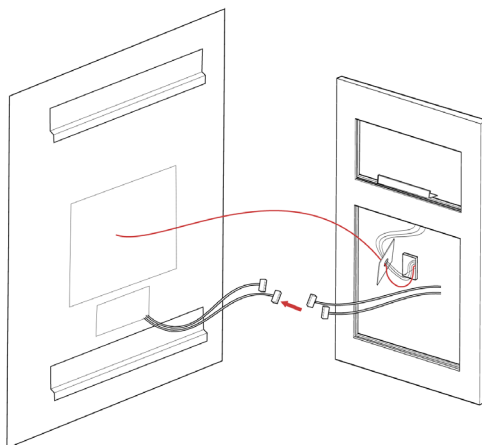
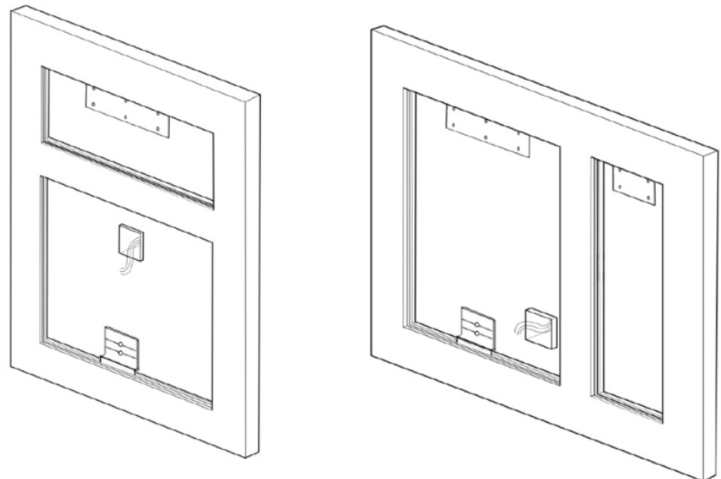


6. CONNECT WIRES

Connect the chassis power cables to the junction box cables. Be sure to check voltage information on the product label.

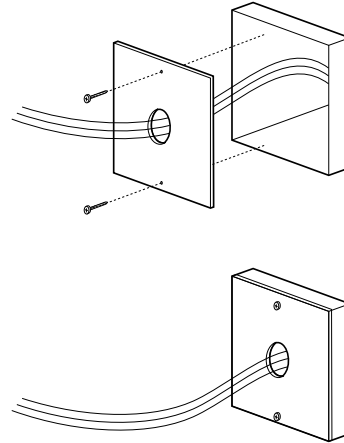
NOTE: ACCESSORIES

Connect accessories after wiring the chassis, but before covering the junction box



7. COVER JUNCTION

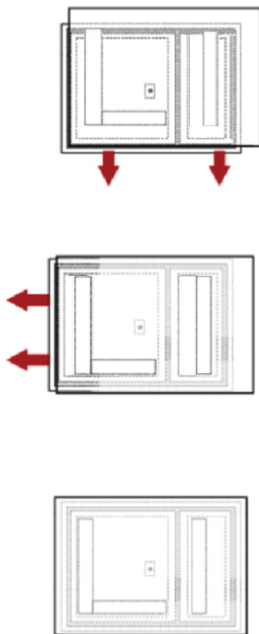
Bundle the cables into the junction box and attach a box cover.



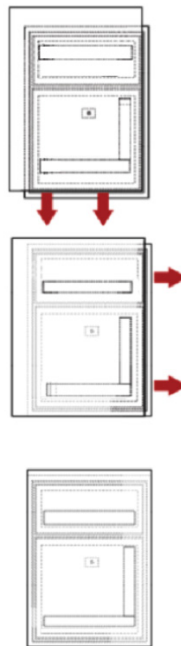
8. PLACE GLASS

Slide glass into position using the diagrams below.

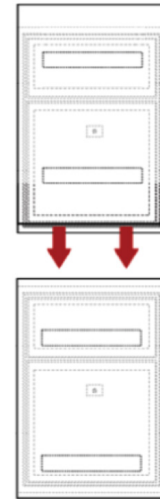
Universal - Horizontal



Universal - Vertical

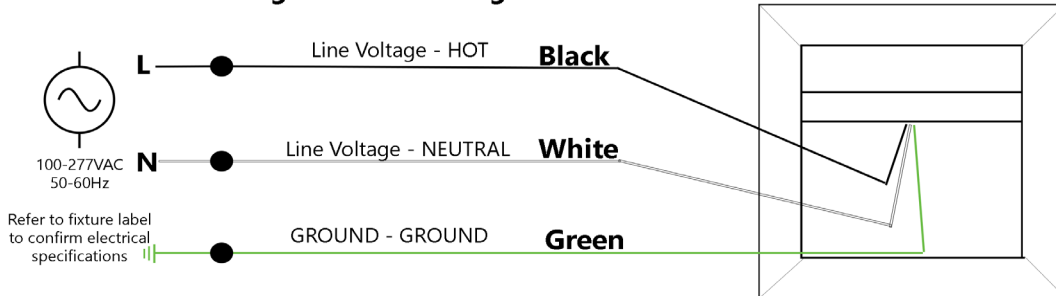


Vertical

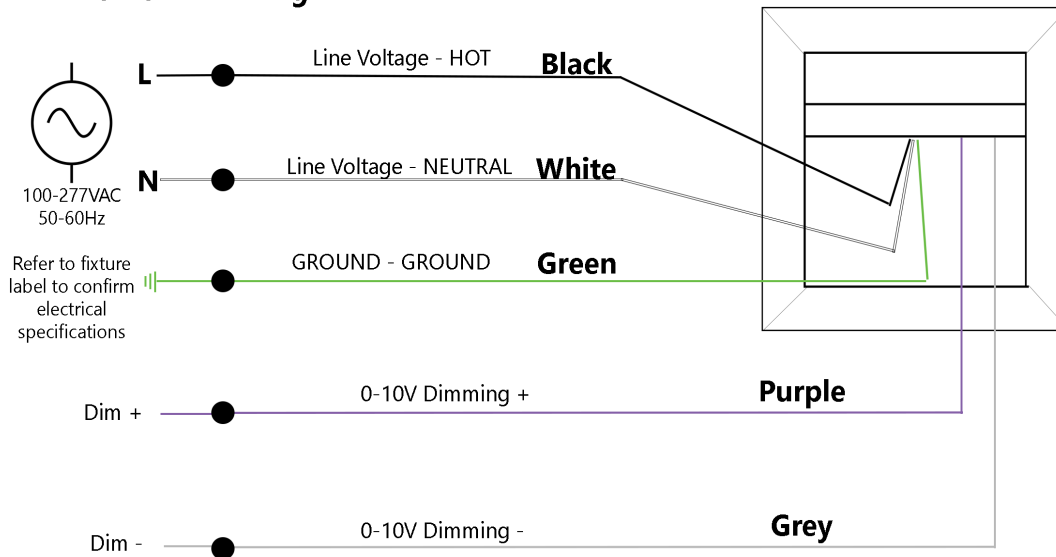


WARNING
 PLEASE REFER TO THE ELECTRICAL SPECIFICATIONS LISTED ON THE MIRROR FRAME TO VERIFY THE CORRECT WIRING CONFIGURATION AND INPUT VOLTAGE. DIRECT & INDIRECT MIRRORS MAY HAVE TWO SETS OF WIRING - WIRE TOGETHER OR ON SEPARATE CHANNELS.

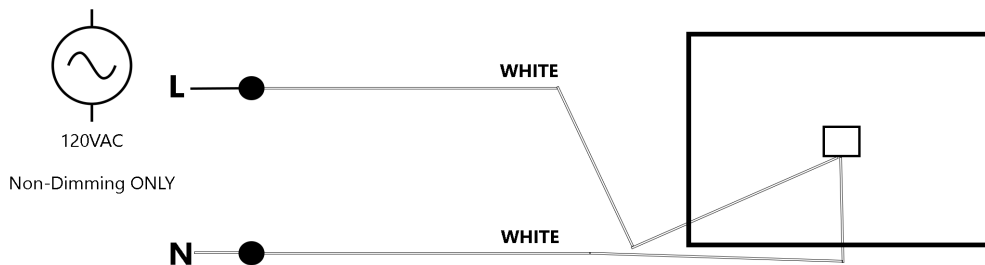
Non-Dimming & ELV Dimming



0-10V Dimming



Heating Pad (Non-Dimming)



*Diagrams used for reference only. Wire positioning may vary.

Matrix Mirrors
5965 Peachtree Corners East, Suite A-1.
Norcross, GA
30071

www.matrixmirrors.com/led-mirrors
(678) 580-5717